



SUBLine 18SA

Processed Active Subwoofer




APPLICATIONS

- D.J. System
- School & Corporate Audio Visual Sound Reinforcement
- Background Music: Restaurants, Pubs
- Clubs /Auditoriums /Theatres
- Gyms /Houses of Worship

FEATURES

- Powered bass-reflex subwoofer
- 18" high excursion magnet woofer with 3" voice coil
- 1200W RMS class D power amplifier with switch mode power supplies
- Digital signal processor with 6 presets and 6 Dealy
- 5/8" Baltic birch plywood cabinet
- M20 top mount speaker stand socket
- Two aluminum carrying handles



 МУЗЦЕНТР
МУЗЫКАЛЬНОЕ ОБОРУДОВАНИЕ
<https://muzcentre.ru>

Designed, Engineered
and Manufactured in ITALY

PRODUCT DESCRIPTION

The FBT SUBLine 18SA is a bass-reflex powered subwoofer. The FBT SUBLine 18SA feature 5/8" Baltic birch plywood construction covered in a scratch resistant black paint with two aluminum carrying handles; an M20 top mounted stand adapter allows satellite speakers, such as the FBT speaker series and others, to be placed above the subwoofer cab. The FBT SUBLine 18SA features a 18" high excursion magnet woofer with 3" voice coil. The FBT SUBLine 18SA provides an FBT's new Digital Signal Processor with 6 presets, 3 equalization with 2 LPF crossover setting, digital 6 step delay line. The FBT SUBLine 18SA shall meet the following performance criteria: Frequency Response of 33Hz to 120Hz, Maximum SPL of 137dB peak, 1200W RMS class D power amplifier with switch mode power supply; the control panel features Stereo XLR IN/LINK, Volume, Preset, Delay, Phase reversal switch 0°-180°, 3 status led indicators. The FBT SUBLine 18SA provides additional low frequency reinforcement when used along with 2-way FBT speakers.

ELECTRICAL PERFORMANCE

System Type:	1 way
Internal Amplifier *	cont.: 900W RMS max.: 1200W RMS max. peak: 2400W
Low Frequency Woofer	1x18" - 3" coil
Frequency Response @ -6dB	33Hz - 120Hz
Input Impedance	22kOhm
Maximum SPL (continuous/peak)**	133dB / 137dB half space
Dispersion	omnidirectional
Active Crossover Frequency	preset dependant
AC Power Requirement	800VA

PHYSICAL

Input Connectors	Stereo XLR with loop
Net Dimensions (WxHxD)	20,07" x 24,76" x 25,59"
Shipping Dimensions (WxHxD)	27,55" x 31,41" x 31,49"
Net Weight	92.59 lbs
Shipping Weight	116.84 lbs
Enclosure Material	birch plywood
Power Supply Cable	16.4 ft

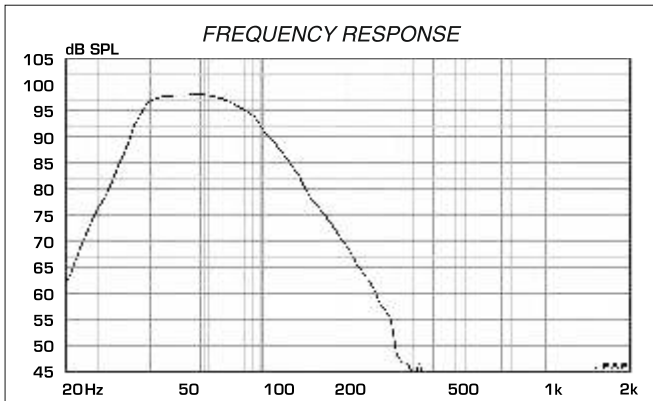
* CONT: 500mS, RMS power on nominal speaker impedance
MAX: 2mS burst, RMS power on nominal speaker impedance
MAX PEAK: based on max peak output voltage and nominal speaker impedance

** CONT. SPL: half space, based on continuous power amp rating and LF transducer average sensitivity data, 125mS time average
PEAK SPL: half space, based on max peak power amp rating and system peak sensitivity, 10mS time average



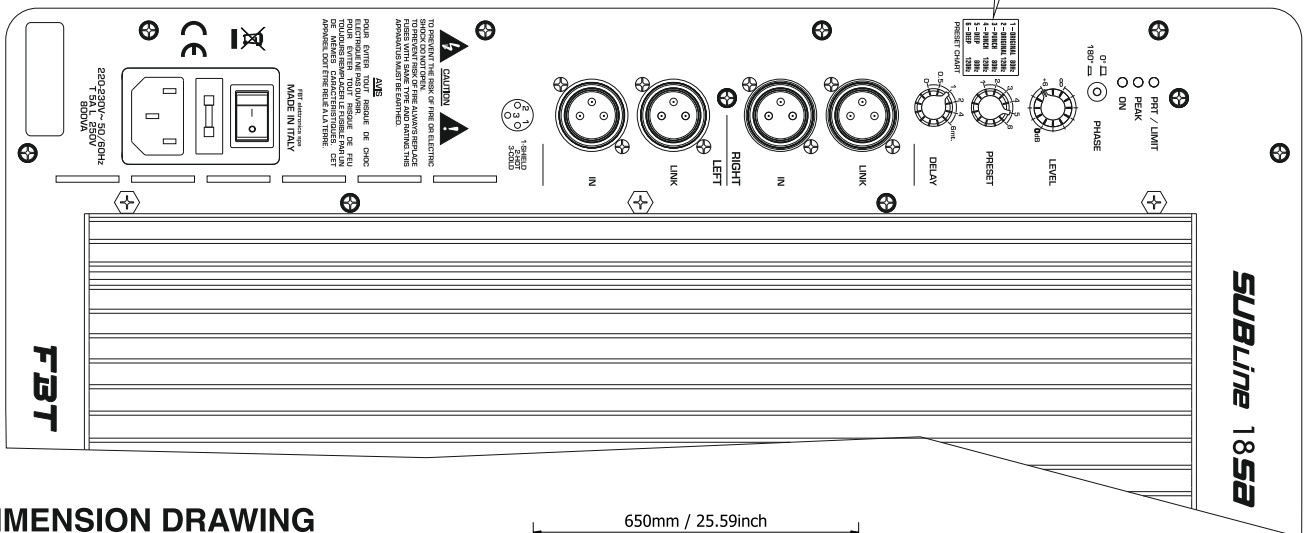
SUBLine 185a

Processed Active Subwoofer



Instead of rotary EQ. controls, FBT's new Digital Signal Processor with factory equalization presets provides simple and efficient EQ adjustment. Hundreds of hours of testing in the anechoic chamber in our factory went into the development of these presets to optimize the speakers for use for numerous applications. Presets feature different cut-off frequencies enabling sub configuration with any other speaker.

CONTROL PANEL



DIMENSION DRAWING

